



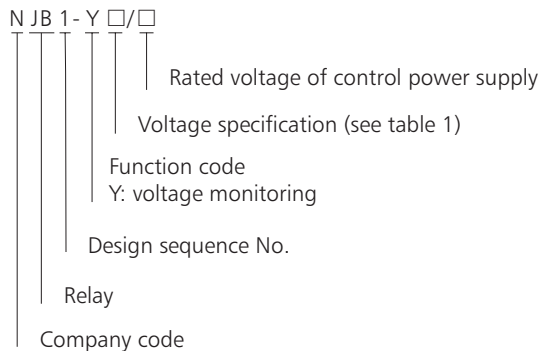
NJB1-Y Single-Phase Voltage Relay

1. General

NJB1-Y single phase voltage relays (hereinafter the relay for short) are applied in AC 220V, 110V, 24V, frequency 50Hz (or 60Hz) and DC 24V control circuits as single phase over-voltage protection or under-voltage protection and indication elements, making or breaking circuits as intended operating values and time.

The product are in compliance with requirements of standard IEC 60947-5-1

2. Type designation



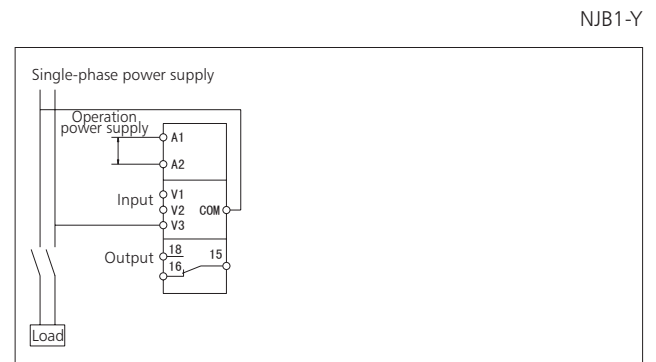
Design Consequence number

Model	Rated operation power supply	Rated input voltage
NJB1-Y1	DC24V	A: COM AC/DC 6mV~60mV B: COM AC/DC 10mV~100mV C: COM AC/DC 30mV~300mV
	AC24V	
	AC110V	
	AC220V	
NJB1-Y2	DC24V	A: COM AC/DC 1V~10V B: COM AC/DC 3V~30V C: COM AC/DC 15V~150V
	AC24V	
	AC110V	
	AC220V	
NJB1-Y3	DC24V	A: COM AC/DC 20V~200V B: COM AC/DC 30V~300V C: COM AC/DC 60V~600V
	AC24V	
	AC110V	
	AC220V	

3. Technical data

Type	NJB1-Y
Protection mode	Over-voltage protection, under-voltage protection
Operating voltage	DC24V; AC220V, AC110V, AC24V, 50/60Hz
Operation Setting Range	10%~100% of max rated input value
Operation time	0.1s~30s adjustable
Repeating precision	±10% of operation value
Time error	±10% of set value
Input frequency	40~500Hz
Contact number	1 Switching
Contact capacity	3A 230VAC cos φ =1
Mechanical Endurance	≤10,000,000 times
Electrical Endurance	Making 50,000times, breaking 30,000times
Installation mode	Track and Bolts

4. Wiring diagram



5. Overall and mounting dimensions (mm)

