



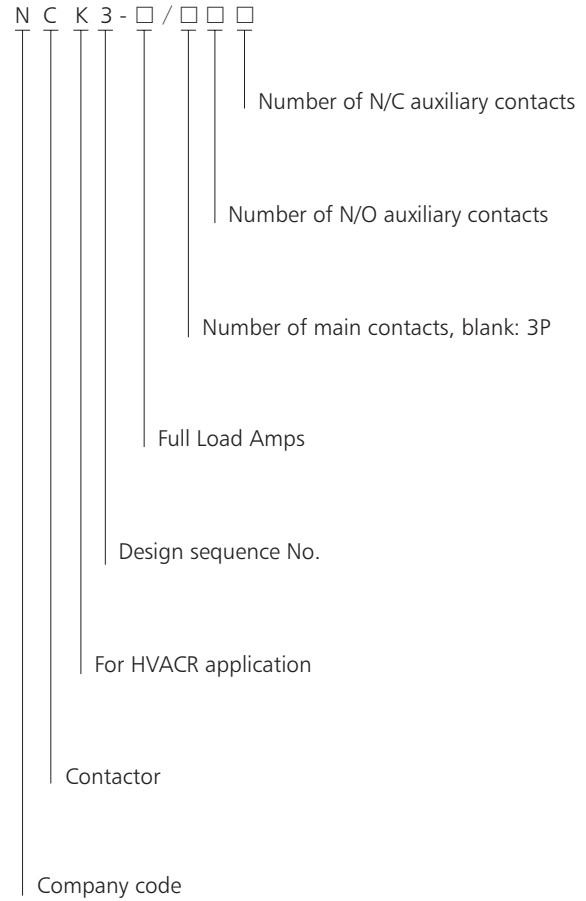
NCK3 Definite Purpose Contactor, 25~90A

1. General

- 1.1 Certificates: VDE, UKrSEPRO, UL;
- 1.2 Application: HVACR;
- 1.3 Utilization category: AC-1, AC-7a, AC-8a;
- 1.4 Rated insulation voltage: 630V;
- 1.5 Standard: UL508



2. Type designation



3. Technical data

3.1 Contactor

★ NCK3, 1P+shunt

Model	Full Load Amps (A)	Line Voltage (V)	Locked Rotor Amps (A)	Conventional free air thermal current (A)
NCK3-20/1	20	277	150	32
NCK3-25/1	25	277	150	32
NCK3-30/1	30	277	200	40
NCK3-32/1	32	277	200	40
NCK3-40/1	40	277	240	50

★ NCK3, 1pole+1NC auxiliary contact

Model	Full Load Amps (A)	Line Voltage (V)	Locked Rotor Amps (A)	Conventional free air thermal current (A)
NCK3-20/101	20	277	150	32
NCK3-25/101	25	277	150	32
NCK3-30/101	30	277	200	40
NCK3-32/101	32	277	200	40
NCK3-40/101	40	277	240	50

3. Technical data

3.1 Contactor

★ NCK3, 2Pole

Model	Full Load Amps (A)	Line Voltage (V)	Locked Rotor Amps(A)	Conventional free air thermal current(A)
NCK3-20/2	20	240/277	150	32
	20	480	120	
	15	600	90	
NCK3-25/2	25	240/277	150	32
	20	480	120	
	15	600	90	
NCK3-30/2	30	240/277	200	40
	25	480	150	
	20	600	120	
NCK3-32/2	32	240/277	200	40
	25	480	150	
	20	600	120	
NCK3-40/2	40	240/277	240	50
	32	480	200	
	25	600	160	

★ NCK3, 3Pole

Model	Full Load Amps(A)	Line Voltage (V)	Locked Rotor Amps(A)	Conventional free air thermal current(A)	Horsepower
NCK3-20	20	240/277	150	32	7.5
	20	480	110		10
	15	600	90		10
NCK3-25	25	240/277	150	32	7.5
	20	480	110		10
	15	600	90		10
NCK3-30	32	240/277	200	40	10
	25	480	115		15
	20	600	95		15
NCK3-32	32	240/277	200	40	10
	25	480	115		15
	20	600	95		15
NCK3-40	40	240/277	240	50	10
	32	480	150		20
	25	600	120		20
NCK3-50	50	240/277	300	60	15
	40	480	215		30
	32	600	175		30
NCK3-60	60	240/277	360	75	20
	40	480	215		30
	32	600	175		30
NCK3-75	75	240/277	450	90	25
	60	480	375		50
	50	600	300		50
NCK3-90	90	240/277	540	100	30
	75	480	450		60
	60	600	360		60

3.2 Coil specifications

1Pole+shunt, 1Pole+1 NC, auxiliary contact, 2Pole

Model		NCK3-25(20)	NCK3-30(32)	NCK3-40
Power consumption	In-rush (VA)	55	55	55
	Sealed (VA)	13	13	13
Operation range	Operation voltage	(85%~110%) Us		
	Drop-out voltage	(20%~65%) Us		
Power supply voltage Us		AC50/60Hz, 24V, 110V/120V, 220V/240V		

3Pole

Model		NCK3-20~40	NCK3-50~60	NCK3-75~90
Power consumption	In-rush (VA)	51	83	165
	Sealed (VA)	12	14	30
Operation range	Operation voltage	(85%~110%) Us		
	Drop-out voltage	(20%~65%) Us		
Power supply voltage Us		AC50/60Hz, 24V, 110V/120V, 220V/240V		

3.3 Specifications of auxiliary contact

1Pole+1 NC auxiliary contact

Ith (A)	Ui (V)	Capacity of auxiliary contact	
		AC (VA)	DC (W)
10	600	300	30

3Pole, lateral auxiliary contact

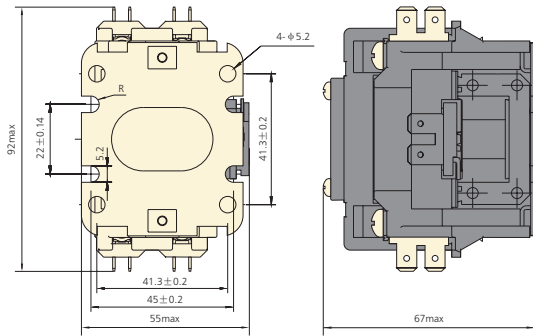
Utilization category	Rated insulation voltage (V)	Resistive amps (A)	Rated operational voltage (V)	Rated operational current (A)	Control capacity
AC-15	660V	10	380/400	0.95	360VA
DC-13	660V	10	220/230	0.15	33W

4. Terminal connection

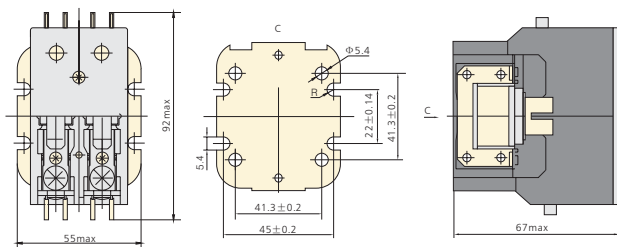
Model	Cabling(mm ²) (Cu)		Tightening torque (N · m)	
	Rigid wire with single core	Flexible stranded wire	Coil	Main circuit
NCK3-20	2.5~6	2.5~4	-	1.8~2
NCK3-25	2.5~6	2.5~4	-	1.8~2
NCK3-32	4~10	2.5~6	-	1.8~2
NCK3-40	4~10	2.5~6	-	1.8~2
NCK3-50	6~16	4~10	0.8~1.2	10~14
NCK3-60	6~16	4~10	0.8~1.2	10~14
NCK3-75	16~35	10~25	0.8~1.2	10~14
NCK3-90	25~35	16~25	0.8~1.2	10~14

5. Overall and mounting dimensions (mm)

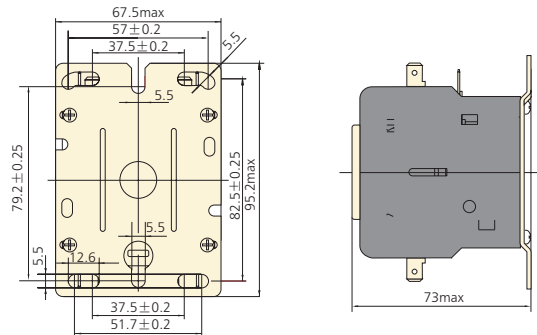
NCK3-20/1~40/1



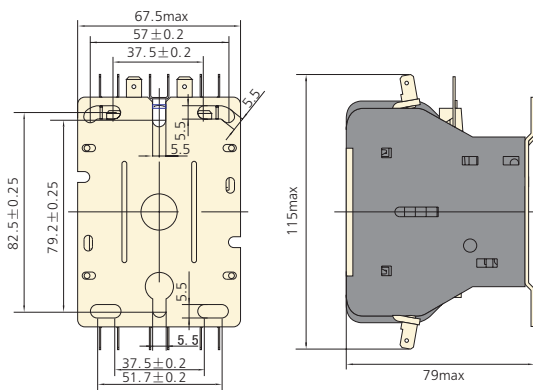
NCK3-20/2~40/2



NCK3-20~40



NCK3-50~60



NCK3-75~90

